

LPWG2 / LPWG3 / LPWG4



Water-cooled
Gaseous Fueled Engines

Technical Data Sheet



Standard Equipment

- Carburetor
- Flywheel drilled for automotive clutch
- Flywheel housing with SAE5 flange
- Electronic governor - constant speed
- Exhaust manifold - top outlet
- Fuel gas solenoid valve
- Grey paint finish
- High temperature switch (N/C)
- Low oil pressure switch (N/C, N/O)
- Lubricating oil filter
- Radiator, extra-large, lowmount radiator with 15" pusher type cooling fan
- Closed crankcase breather system
- Secondary gas pressure regulator
- Solid state inductive ignition
- Water pump & thermostat
- 12 volt starter motor & 45 amp battery charging alternator

Product Support

- Recommended spares kits
- Special service tools

Accessories

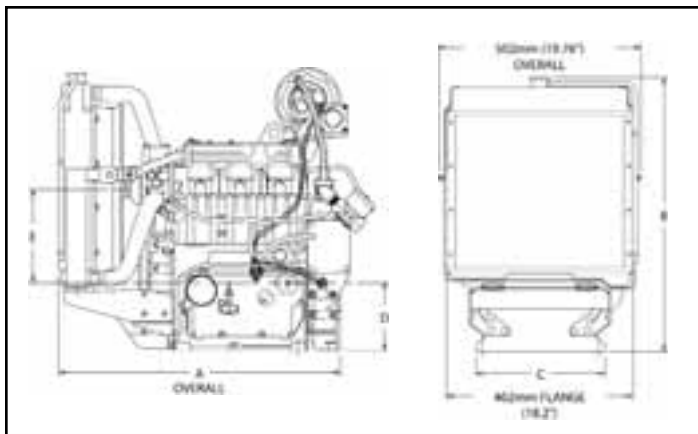
- Air cleaner - medium or heavy duty
- Exhaust flanges or mufflers
- Fan drive guards
- Flywheel end drives, shaft extensions, couplings, and SAE industrial clutches
- Gauges - supplied loose
- Hydraulic pump drives - flywheel end

Additional accessories available - Consult Lister-Petter

General Data		LPWG2	LPWG3	LPWG4
Bore:	mm	86.0	86.0	86.0
	inch	3.38	3.38	3.38
Stroke	mm	80.0	80.0	80.0
	inch	3.15	3.15	3.15
Cylinder Capacity:	liter	0.93	1.39	1.86
	in ³	56.7	85.1	113.5
Lubricating Oil Capacity: (including filter)	liter	3.2	4.4	5.5
	US quarts	3.4	4.6	5.8
Fuel Consumption @1800 r/min: (75% Load)	Natural Gas ft. ³ /h	82	120	172
	Propane ft. ³ /h	37	58	75
Angles of inclination: (any direction)	Permanent	20°	20°	20°
	Temporary	25°	30°	30°
Combustion Air Required @1800 r/min.	l/s	12	18	24
	ft ³ /min	25	38	50
Dry Weight (including flywheel)	kg	112	150	180
	lb	247	330	396

Electrical System		LPWG2	LPWG3	LPWG4
Alternator Output:	amp	45	45	45
Starter Motor Power:	kW	1.4	1.4	2.0
Starter Motor Battery Cold Cranking Performance Rating: (BS3911-Part 2)	amp @ -8°C (18°F)	210	345	380
	amp @ -18°C (0°F)	350	600	670
Minimum Starting Temperature*: (without additional aids)	°C	-15°	-15°	-15°
	°F	5°	5°	5°

* Consult Lister-Petter concerning performance at lower temperatures.



Principal Dimensions						
	LPWG2		LPWG3		LPWG4	
	inch	mm	inch	mm	inch	mm
A	23.84	605.5	27.78	705.5	31.71	805.5
B	26.97	685	26.97	685	26.97	685
C	11.44	289	11.44	289	11.44	289
D	6.63	170	6.63	170	6.63	170
E	9.13	230	9.13	230	9.13	230

Natural Gas Nominal 1037 BTU/Ft ³ 0.601 Specific Gravity Power Output							
		Continuous Power			Intermittent Power		
RPM		LPWG2	LPWG3	LPWG4	LPWG2	LPWG3	LPWG4
1800	kWm	6.8	12.3	16.4	7.5	13.6	18.1
	hp	9.1	16.5	22.0	10.0	18.2	24.2
1500	kWm	5.3	9.9	13.2	5.8	10.9	14.5
	hp	7.1	13.3	17.7	7.8	14.6	19.5

**Ratings shown without fan. Derate by 5% for flywheel power.

HD-5 Propane Gas Nominal 2588 BTU/Ft ³ 1.552 Specific Gravity Power Output							
		Continuous Power			Intermittent Power		
RPM		LPWG2	LPWG3	LPWG4	LPWG2	LPWG3	LPWG4
1800	kWm	7.9	14.0	18.6	8.7	15.4	20.5
	hp	10.6	18.7	25.0	11.7	20.6	27.5
1500	kWm	6.2	11.3	15.0	6.8	12.4	16.5
	hp	8.3	15.1	20.1	9.1	16.6	22.1

**Ratings shown without fan. Derate by 5% for flywheel power.

For further information, contact:

Engine Data

Construction:

Ribbed, thin-wall cast iron crankcase for quiet operation. Crankcase includes a service door for easy access. Closed crankcase breather for reduced emissions. Extra large bearing surfaces for low bearing loads and long life.

Rotation:

Counter-clockwise, looking at the flywheel end.

Cooling:

Water circulation pump with thermostat is driven by a polyvee long-life belt. Engine includes an integrated bypass system and is designed for ambients up to 40°C (104°F).

Lubrication:

Designed to run at high angles of inclination and includes a full flow spin-on cartridge filter. Service free hydraulic valve lifters. Lubricating oil pump is a gear-driven, positive displacement design. Oil service interval is 250 hours.

Fuel & Combustion Systems:

Lean burn combustion system resulting in low emissions exceeding current legislative requirements and excellent fuel consumption. Eliminates catalytic converter requirement. Cylinder head is a cross-flow, high swirl design to increase efficiency of combustion.

Governing:

Electronic generator set governing for 1500 & 1800RPM.

Drives:

Full power is available at the flywheel end for axial or radial drives.

Mounting:

Hold-down feet are integral with the crankcase for base mounting.

The information in this data sheet is of a general nature and does not form part of any contract or warranty. We have made efforts to ensure that the information is accurate but reserve the right to amend specification and information without notice or any obligation or liability. The set illustrated is not necessarily the standard build.



© Copyright Lister-Petter, Inc.
June, 2001
555-00379
Printed in the USA