



# Cellpac™ CP7

**PURPOSE BUILT FOR: COMPARTMENT APPLICATIONS  
ON DIESEL MOTOR VEHICLES**

## **MODEL CP7 - 7.25kW**



### **SPECIFICATIONS**

#### **Independent AC Power Source**

**DUTY RATING:** Industrial, Continuous

**SIZE:** 30.6”L x 18.0”W x 25.1”H

Zero Clearance (Includes Operating Clearances)

**WEIGHT:** 440 Lbs.

#### **OUTPUT CURRENT:**

240/120VAC, 1 Phase, 60 Hz

120VAC, 1 Phase, 60 Hz (Optional)

#### **POWER RATING:**

7.25 kW Intermittent

6.0 kW Continuous

#### **ENGINE:**

3 Cylinder Diesel

Liquid Cooled, 1800RPM

#### **ENGINE SOUND LEVEL:**

78 dB(A) @ 1 Meter

64 dB(A) @ 7 Meters

#### **A.C. ALTERNATOR TYPE:**

4-Pole, Electronic Regulated, 1800 RPM,

60Hz, Insulation Class “F”

### **FEATURES & BENEFITS**

- A factory engineered, proven, built and production tested power system by Stadco® a division of Stauffer Diesel Inc. When performance is mandatory specify a Cellpac.
- Each generator is designed to pass NFPA 2 Hour load test at continuous load
- Designed for closed door operation. Exhausts through the floor. Cool compartment interior
- Suitable for free standing or compartment duty applications. Modular design - easier installation.
- Robust High Density, Welded Aluminum Heat Exchanger
- Stands up to the heat. Wide operating temperature range: 0°F to 122°F. (50°C)
- Easy Access to all routine Service Points
- Convenient connections to vehicle battery and diesel fuel tank
- Powered with Mitsubishi Diesel 1800RPM Engine
- Small “Carbon Footprint” compared to parasitic systems. EPA Emissions Compliant with no exhaust after-treatment required.
- Safety Protection System continually monitors Engine Condition. Virtually eliminates catastrophic failures.
- Standard Digital Control System - Common Controller
- 4 Pole brushless alternator for extended service life
- Muffler Exhaust Kit included - Shipped Loose.
- Supported by a 2-Year or 2000 Hr. Limited Warranty and Money Back Guarantee see Stadco® policy #D25.



Whether on duty for 15 minutes or 15,000 hours; it doesn't matter.  
Cellpac generators were bred for tough 24/7 duty in compartments.

©2013 STADCO® PRODUCTS DIVISION

PO BOX 586 • 34 STAUFFER LANE • EPHRATA, PA 17522

PHONE: (717)738-2500 • FAX: (717)738-2550 •

EMAIL: gensales@staufferdiesel.com • Website: www.stadcogen.com

## **STANDARD DIGITAL CONTROL SYSTEM - #1779**



- Programmable Digital Control System (Remote mounted)
- Available with standard enclosure or optional flat panel
- Includes 10' Plug in cord w/weather-proof quick connectors.
- Metering for AC and DC electrical systems.
- Auto-crank and Preheat Capability are standard
- Automatic shutdowns and warnings.
- Auto-shutdown when power is fed from separate source.
- Refer to Bulletin #S160.13

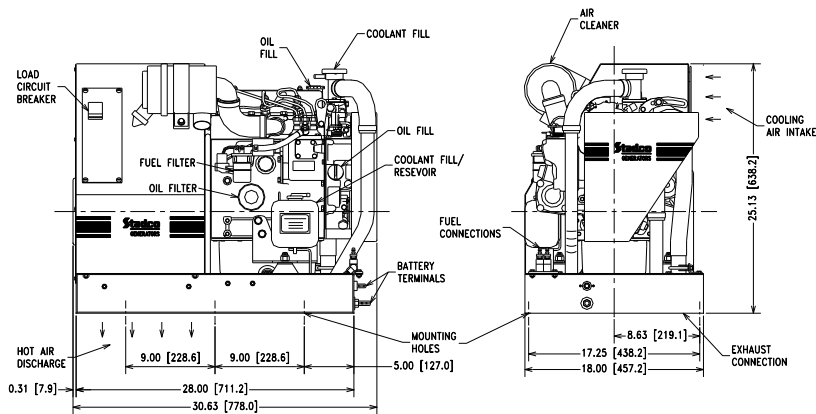
## **OPTIONAL ACCESSORIES**

- 120V, 1 Phase Output in lieu of Standard.
- Remote Start/Stop Panel - Kit #1780 (in cab).
- Flat Panel Control System - Kit #1791
- Digital Control System w/AC Metering - Kit #1790.
- 10 Ft. Extension Cord for Control Panel - Kit #1801.
- 20 Ft. Extension Cord for Control Panel - Kit #1802.
- 120V, 400 Watt Block Heater
- Coolant Drain Hose - Kit #1429.

## **STADCO SUPPORT SERVICES**

- Toll free Stadco Tech service hotline: 1-800-377-2120
- Maintenance and service support information posted on Stadco website.
- Routine service provided by selling dealer or Stadco.
- Stadco services: shop and on-site road service. Plus comprehensive rebuilding services.

## **GENERAL DIMENSIONS**



**TYPICAL INSTALLATION**

**Cellpac™ Generators available in sizes ranging from 6.0kW to 25.0kW**

**For Complete Specifications See Bulletin #S84.13**



**©2013 STADCO® PRODUCTS DIVISION**

PO BOX 586 • 34 STAUFFER LANE • EPHRATA, PA 17522

PHONE: (717)738-2500 • FAX: (717)738-2550 •

EMAIL: gensales@staufferdiesel.com • Website: www.stadco.com