

Cellpac™ CP20

**PURPOSE BUILT FOR: COMPARTMENT APPLICATIONS
ON DIESEL MOTOR VEHICLES**

MODEL CP20 - 20.0kW

FEATURES & BENEFITS

SPECIFICATIONS

Independent AC Power Source

DUTY RATING: Industrial, Continuous

SIZE: 39.4”L x 19.5”W x 28.3”H

Zero Clearance (Includes Operating Clearances)

WEIGHT: 750 Lbs.

OUTPUT CURRENT:

240/120VAC, 1 Phase, 60 Hz

120VAC, 1 Phase, 60 Hz (Optional)

POWER RATING:

20.0 kW Intermittent

19.0 kW Continuous

ENGINE:

3 Cylinder Diesel

Liquid Cooled, 1800RPM

ENGINE SOUND LEVEL:

88 dB(A) @ 1 Meter

72 dB(A) @ 7 Meters

A.C. ALTERNATOR TYPE:

4-Pole, Electronic Regulated, 1800 RPM,
60Hz, Insulation Class “H”

- *A factory engineered, proven, built and production tested power system by Stadco® a division of Stauffer Diesel Inc. When performance is mandatory specify a Cellpac.*
- *Each generator is designed to pass NFPA 2 Hour load test at continuous load*
- *Designed for closed door operation. Exhausts through the floor. Cool compartment interior*
- *Suitable for free standing or compartment duty applications. Modular design - easier installation.*
- *Robust High Density, Welded Aluminum Heat Exchanger*
- *Stands up to the heat. Wide operating temperature range: 0°F to 122°F. (50°C)*
- *Easy Access to all routine Service Points*
- *Convenient connections to vehicle battery and diesel fuel tank*
- *Powered with Deutz Diesel 1800RPM Engine*
- *Small “Carbon Footprint” compared to parasitic systems. EPA Emissions Compliant with no exhaust after-treatment required.*
- *Safety Protection System continually monitors Engine Condition. Virtually eliminates catastrophic failures.*
- *Standard Digital Control System - Common Controller*
- *4 Pole brushless alternator for extended service life*
- *Muffler Exhaust Kit included - Shipped Loose.*
- *Supported by a 2-Year or 2000 Hr. Limited Warranty and Money Back Guarantee see Stadco® policy #D25.*



**Whether on duty for 15 minutes or 15,000 hours; it doesn't matter.
Cellpac generators were bred for tough 24/7 duty in compartments.**

©2013 STADCO® PRODUCTS DIVISION

PO BOX 586 • 34 STAUFFER LANE • EPHRATA, PA 17522

PHONE: (717)738-2500 • FAX: (717)738-2550 •

EMAIL: gensales@staufferdiesel.com • Website: www.stadcogen.com

STANDARD DIGITAL CONTROL SYSTEM - #1779



- Programmable Digital Control System (Remote mounted)
- Available with standard enclosure or optional flat panel
- Includes 10' Plug in cord w/weather-proof quick connectors.
- Metering for AC and DC electrical systems.
- Auto-crank and Preheat Capability are standard
- Automatic shutdowns and warnings.
- Auto-shutdown when power is fed from separate source.
- Refer to Bulletin #S160.13

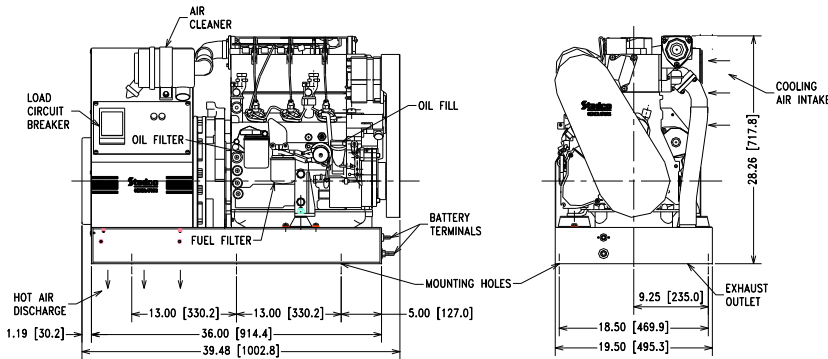
OPTIONAL ACCESSORIES

- 120V, 1 Phase Output in lieu of Standard.
- Remote Start/Stop Panel - Kit #1780 (in cab).
- Flat Panel Control System - Kit #1791
- Digital Control System w/AC Metering - Kit #1790.
- 10 Ft. Extension Cord for Control Panel - Kit #1801.
- 20 Ft. Extension Cord for Control Panel - Kit #1802.
- 120V, 400 Watt Block Heater
- Coolant Drain Hose - Kit #1429.

STADCO SUPPORT SERVICES

- Toll free Stadco Tech service hotline: 1-800-377-2120
- Maintenance and service support information posted on Stadco website.
- Routine service provided by selling dealer or Stadco.
- Stadco services: shop and on-site road service. Plus comprehensive rebuilding services.

GENERAL DIMENSIONS



TYPICAL INSTALLATION

Cellpac™ Generators available in sizes ranging from 6.0kW to 25.0kW



For Complete Specifications See Bulletin #S84.13

©2013 STADCO® PRODUCTS DIVISION

PO BOX 586 • 34 STAUFFER LANE • EPHRATA, PA 17522

PHONE: (717)738-2500 • FAX: (717)738-2550 •

EMAIL: gensales@staufferdiesel.com • Website: www.stadcogen.com