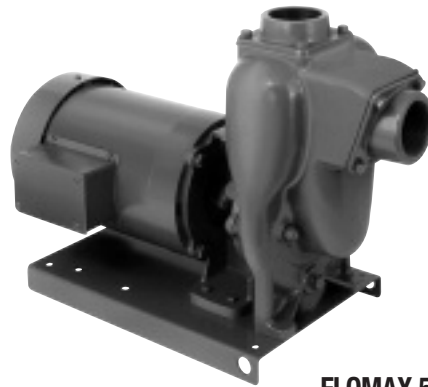


# FLOMAX 5 8 10

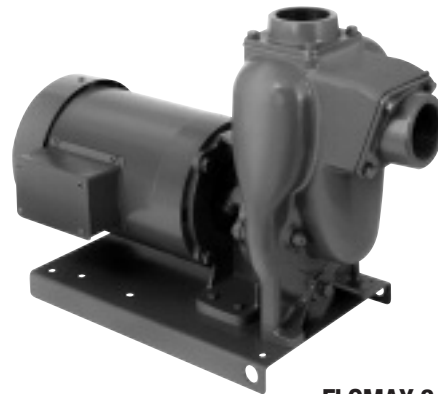
## SELF PRIMING CENTRIFUGAL PUMP FEATURES

- CLOSED COUPLED TO ELECTRIC MOTOR
- PUMPAK ONLY TO MOUNT TO STANDARD NEMA "C" FACE MOTOR
- FLOWS - 100-750 GPM
- PRESSURES - 100-230 FEET HEAD
- AVAILABLE IN: CAST IRON, BRONZE AND ALUMINUM  
FLOMAX 8 AND FLOMAX 15 STAINLESS STEEL 316 SS
- WITH OR WITHOUT ELECTRIC MOTOR
- IMPELLER - CAST IRON, BRONZE, ALUMINUM & STAINLESS STEEL  
FLOMAX 40 CAST IRON, BRONZE & STAINLESS STEEL  
FLOMAX 30 DUCTILE IRON & BRONZE
- SHAFT SLEEVE - STAINLESS STEEL
- FASTENERS - STAINLESS STEEL
- SEALS - STANDARD VITON, OPTIONAL SEALS AVAILABLE  
PRESSURE LUBRICATED DOUBLE SEALS
- OPTIONS:
  - ENGINE DRIVES
  - PEDESTAL MODELS
  - HYDRAULIC DRIVES AND CLUTCHPAKS
- ABS TYPE APPROVAL FOR MANY SHIPBOARD SERVICES

MODEL	Suction	Discharge	Max. Solid Size
FLOMAX 5	1 1/2" NPT	1 1/2" NPT	.56"
FLOMAX 8	2" NPT	2" NPT	.56"
FLOMAX 10	2" NPT	2" NPT	.625"
FLOMAX 15	3" NPT	3" NPT	.625"
FLOMAX 30	3" NPT	3" NPT	.60"
FLOMAX 40	4" NPT	4" NPT	.65"



FLOMAX 5



FLOMAX 8

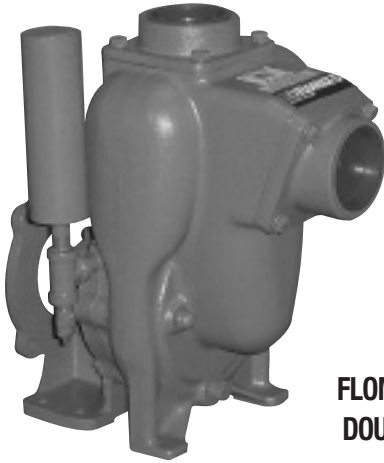


316 SS FLOMAX 8

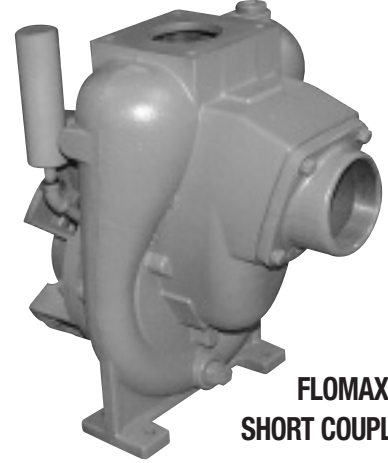


FLOMAX 10

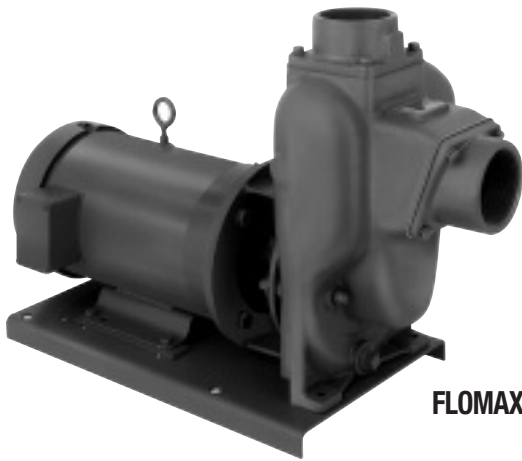
# 15 30 40



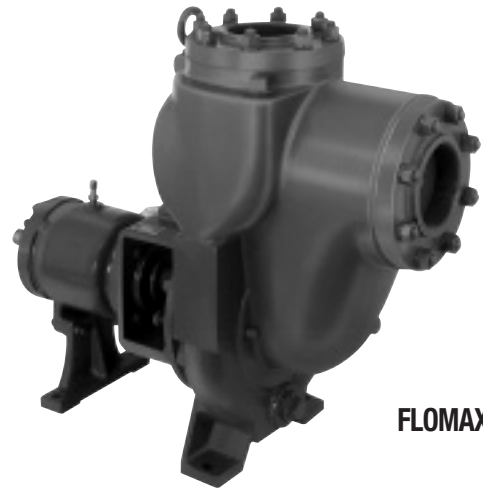
**FLOMAX 5 & 8  
DOUBLE SEAL**



**FLOMAX 30  
SHORT COUPLED**

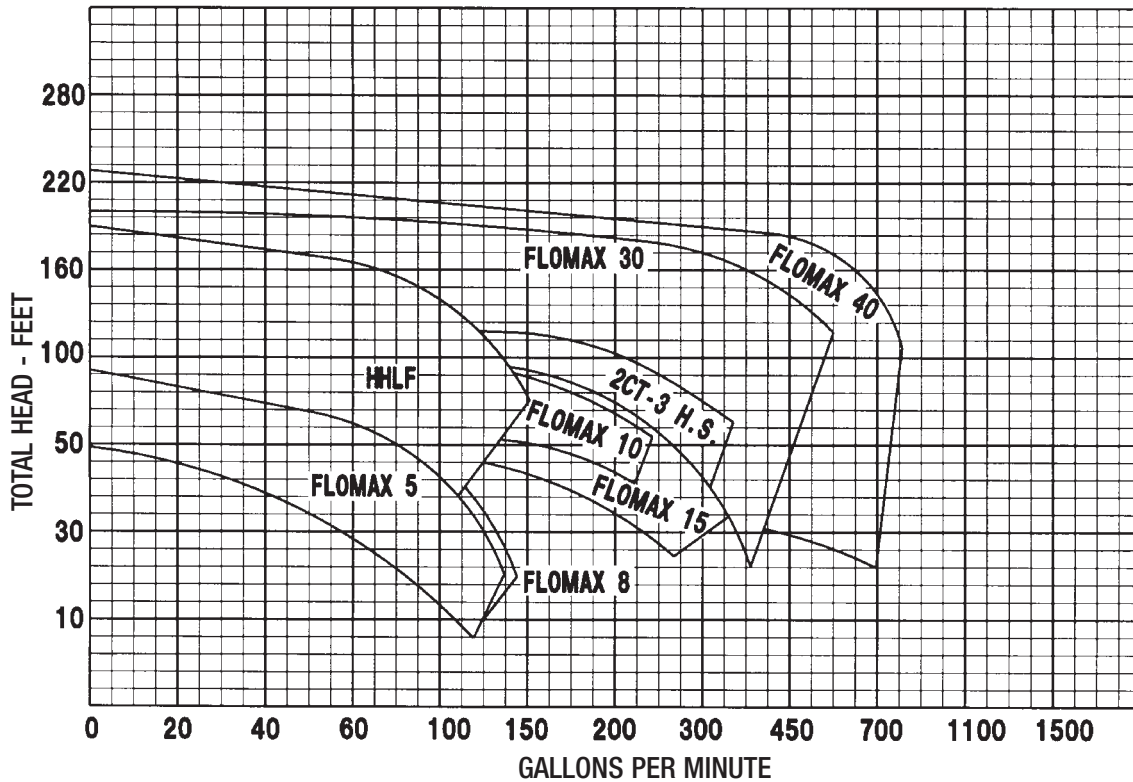


**FLOMAX 15**

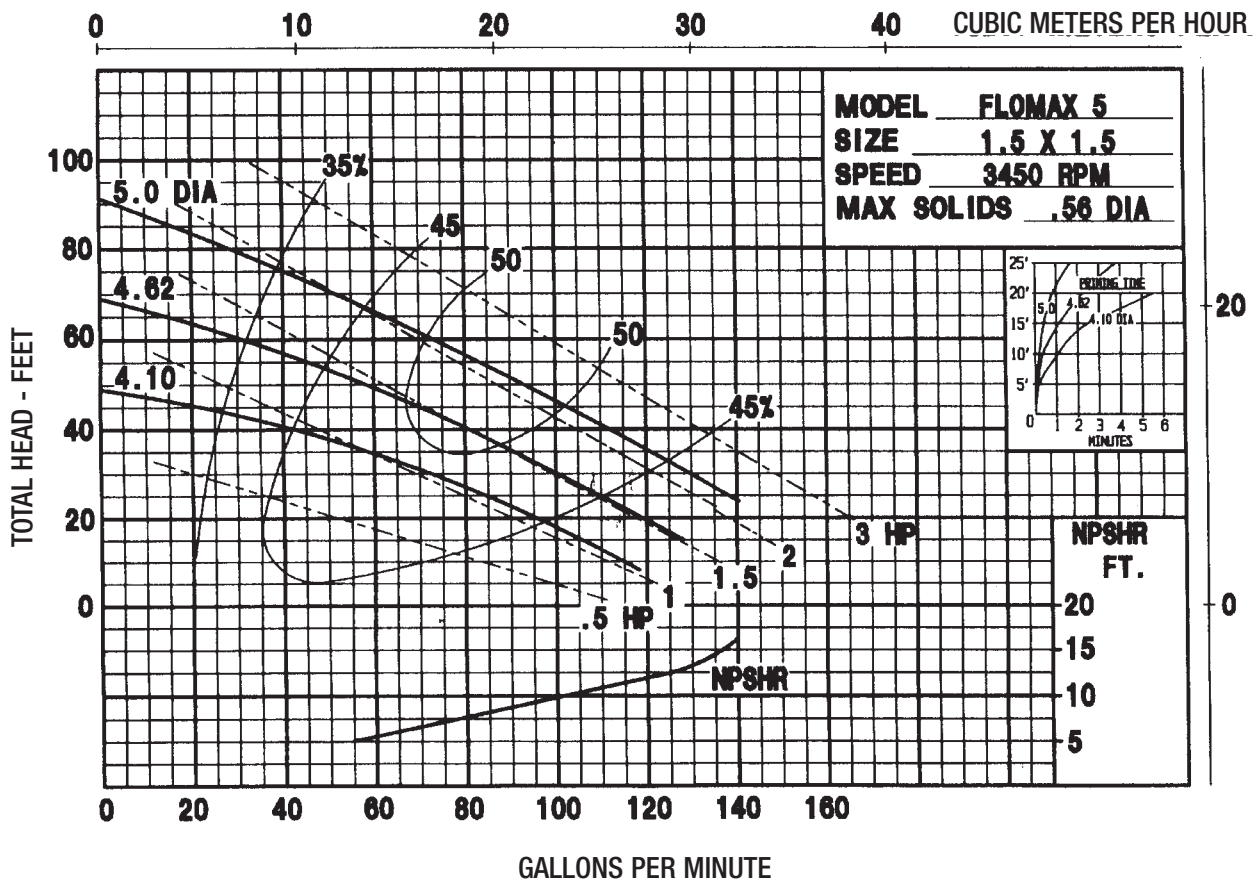
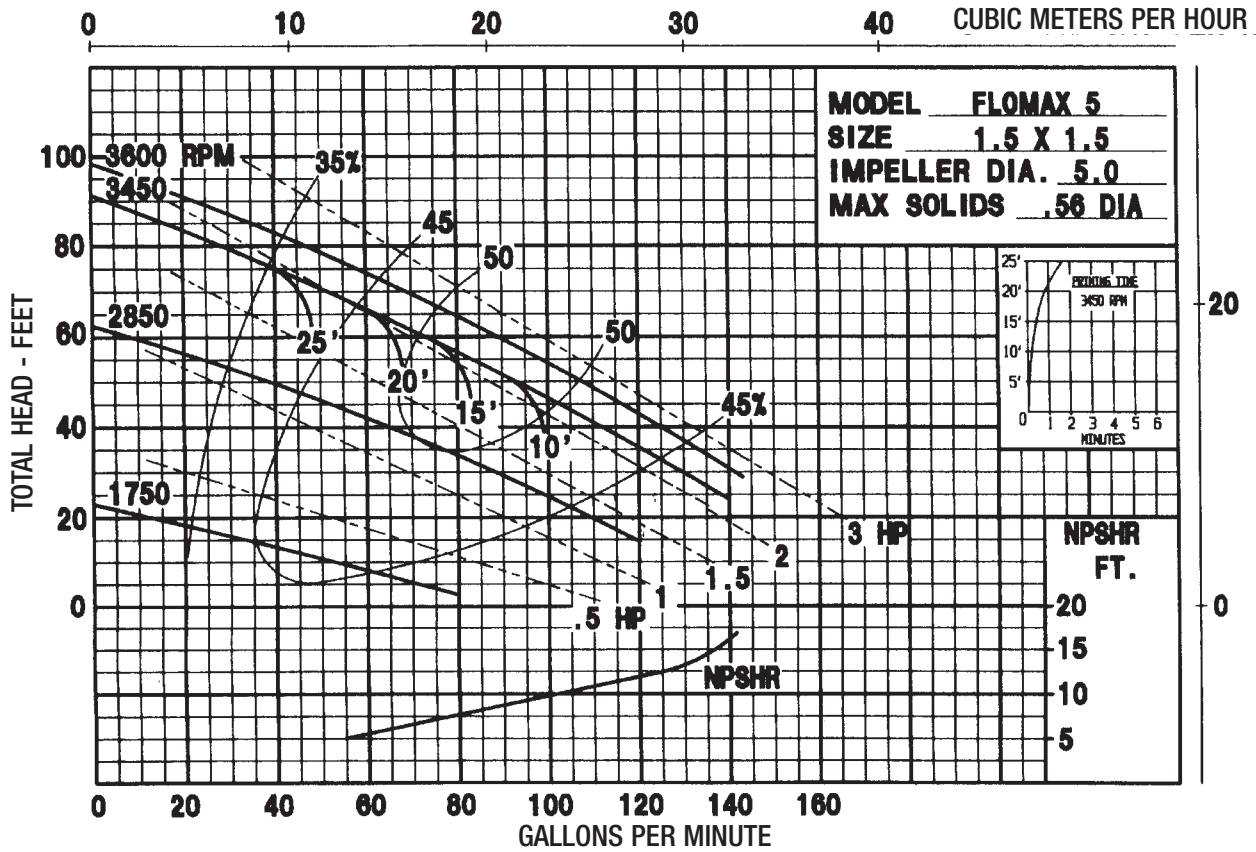


**FLOMAX 40**

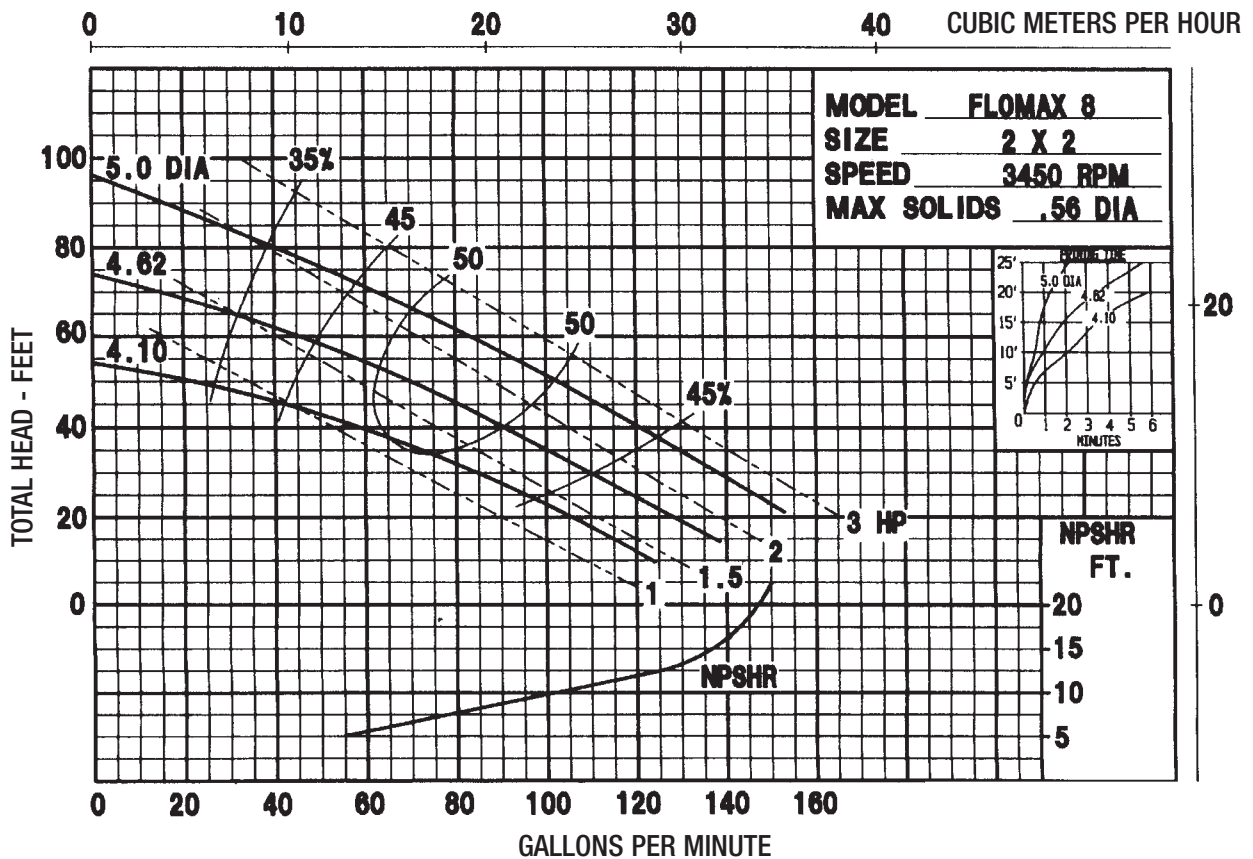
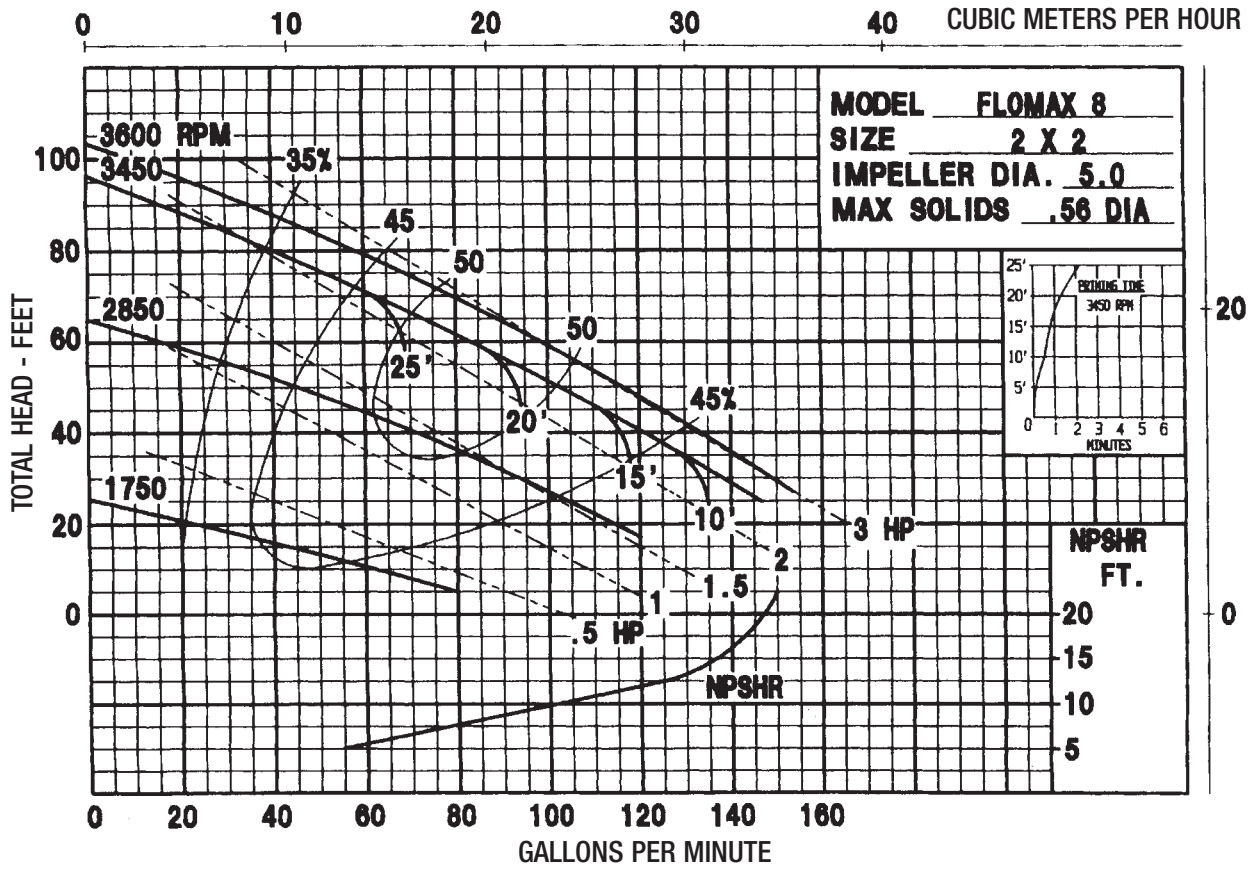
**Self-Priming Centrifugal Pump Selection**



**Flomax 5 Pump Performance Curves**

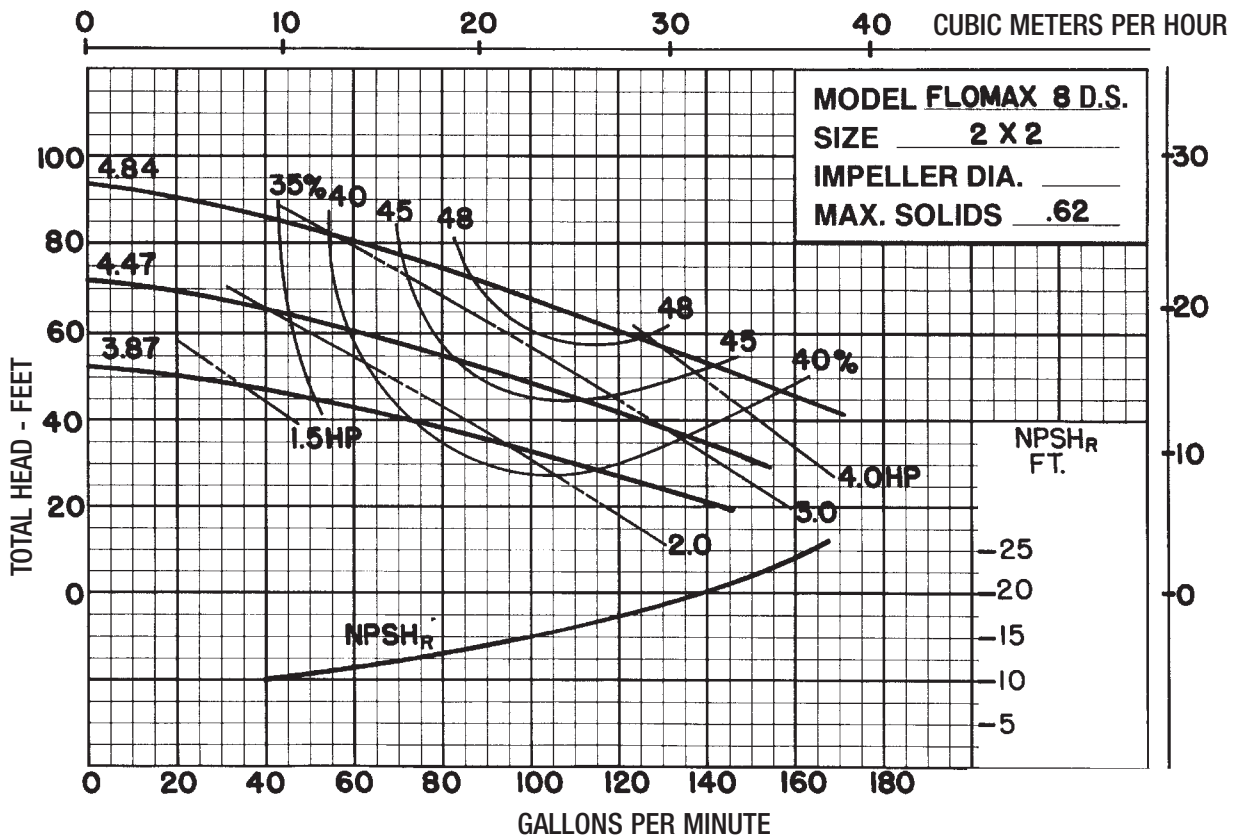
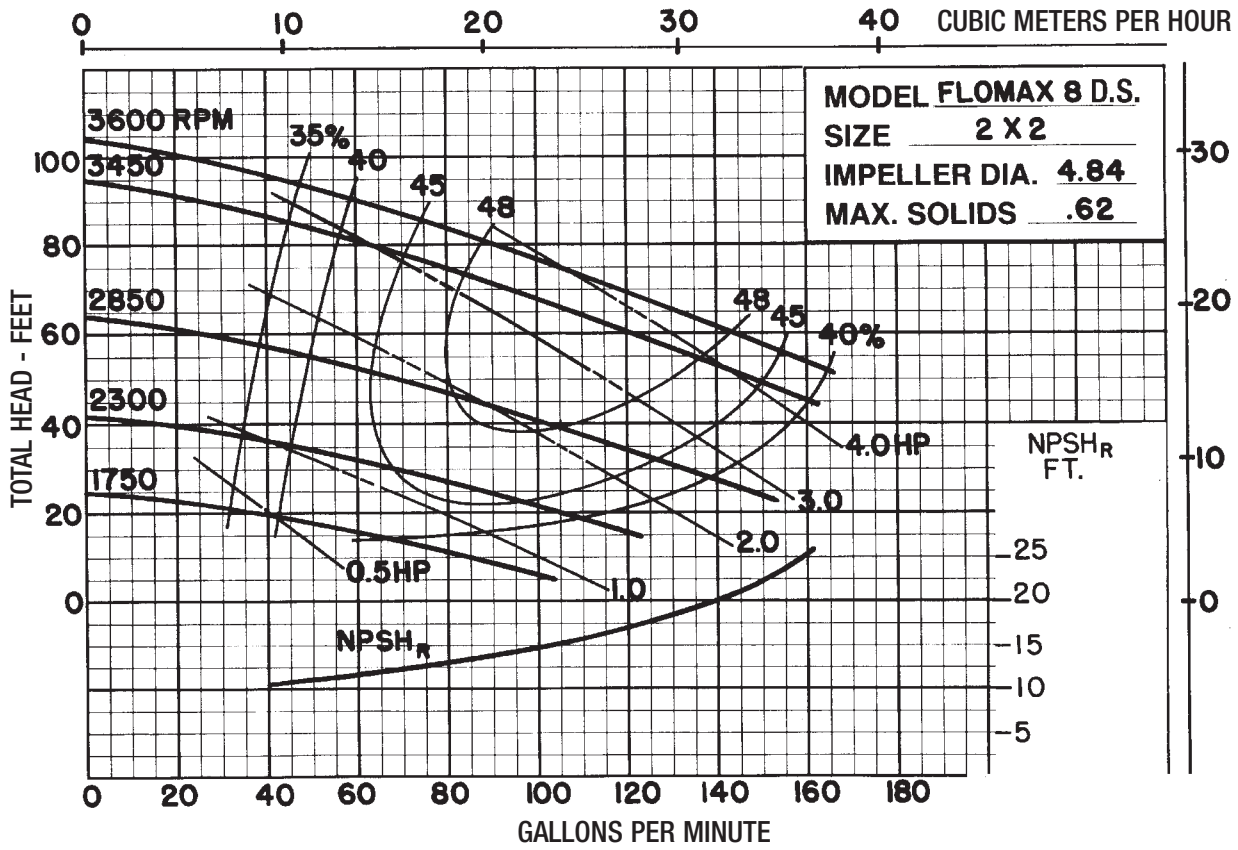


**Flomax 8 Pump Performance Curves**

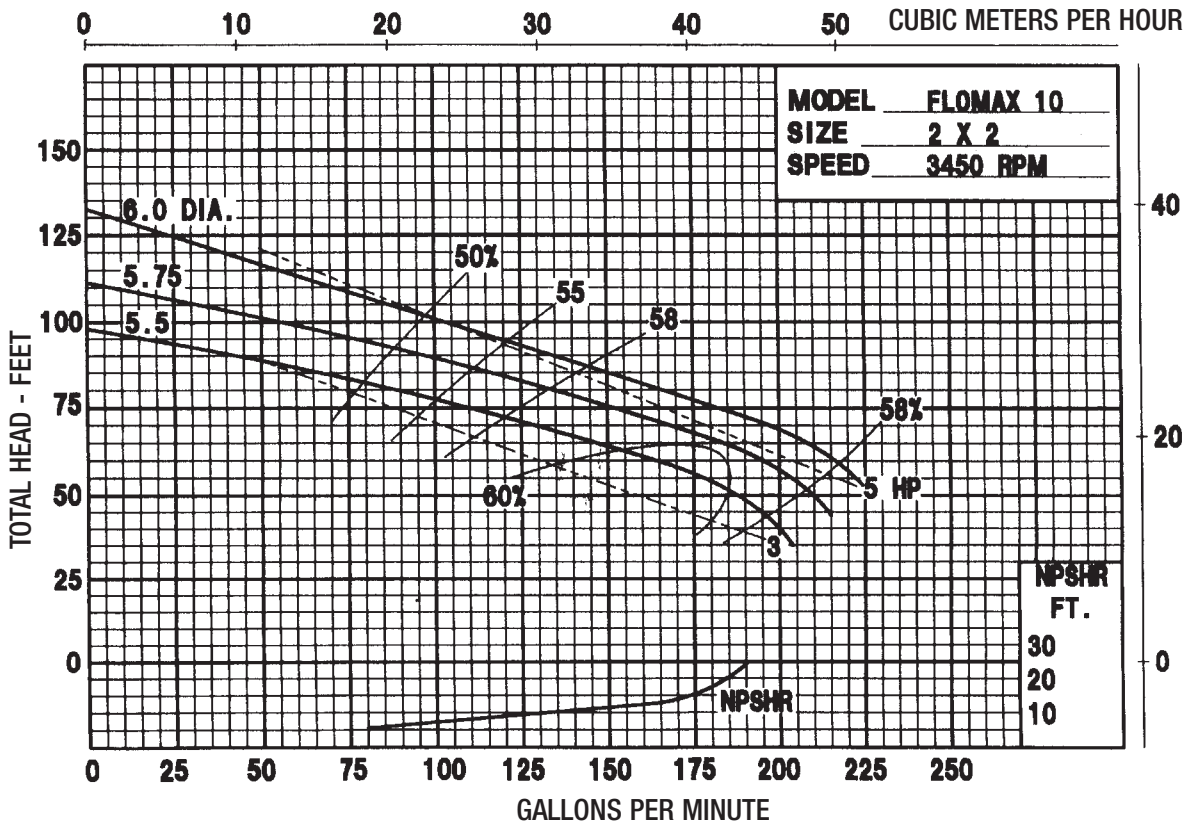
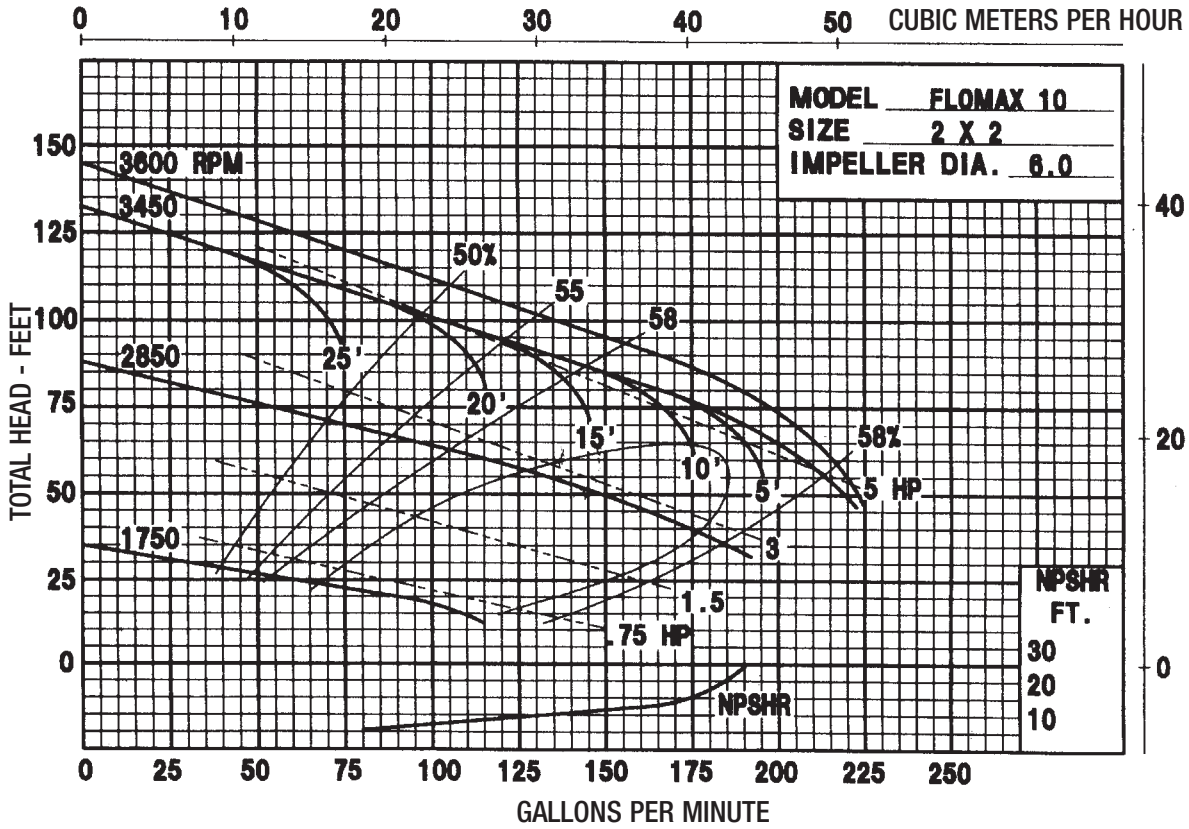


Other Performance Curves Available Upon Request

**FLOMAX 5 & 8 Pump Double Seal Performance Curves**

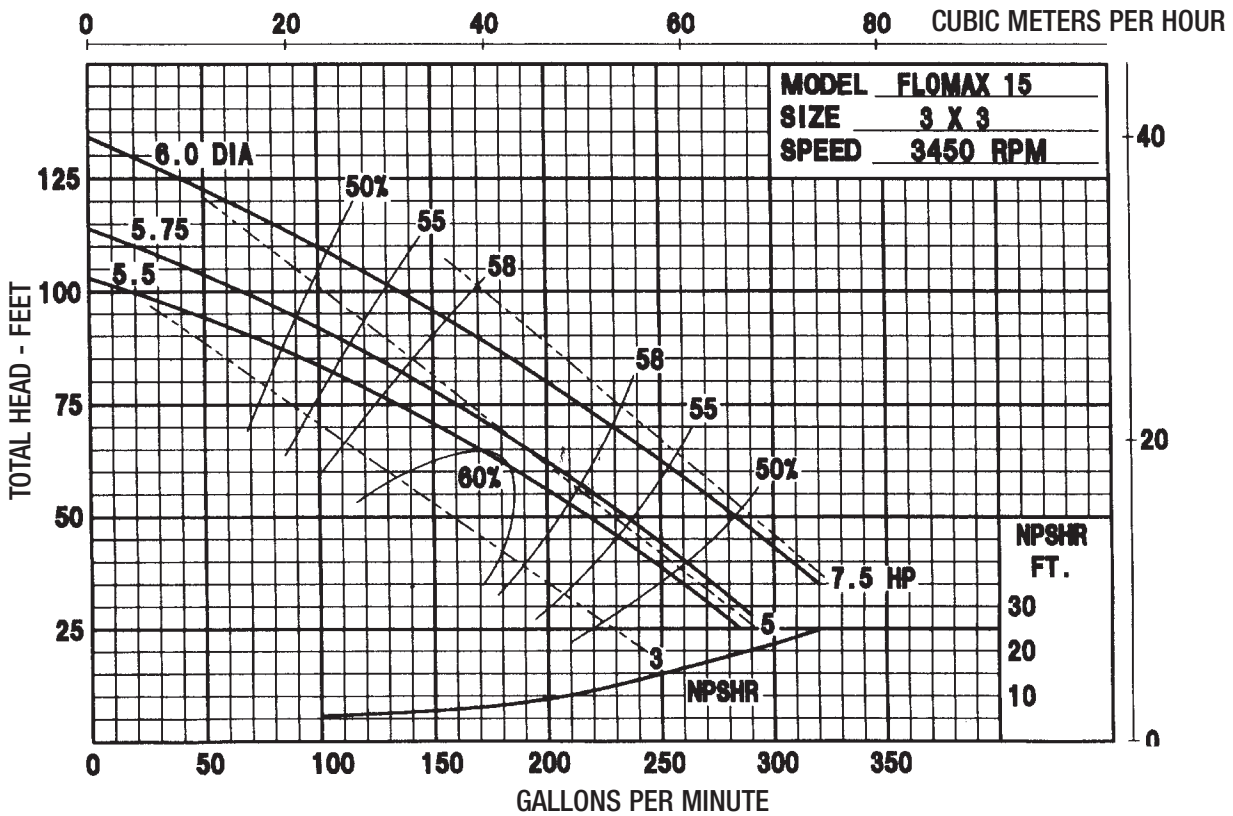
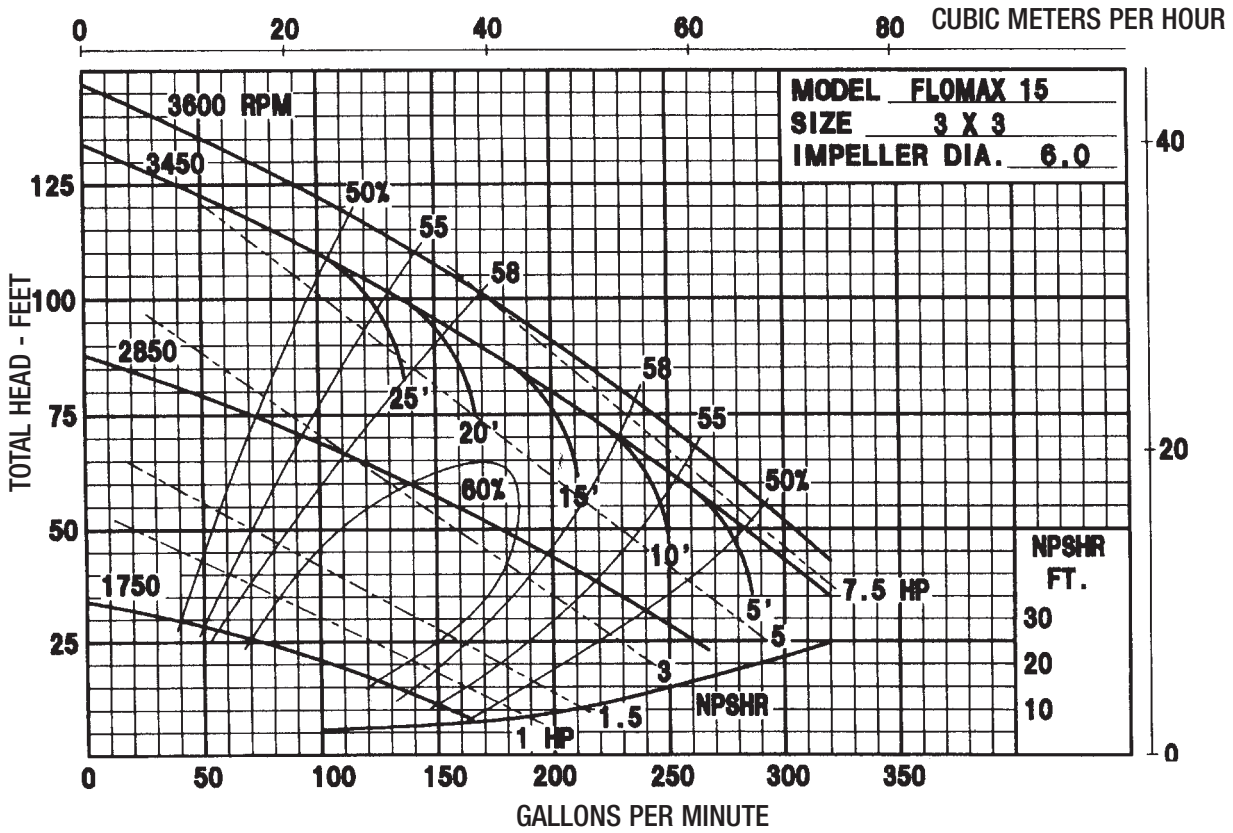


**Flomax 10 Pump Performance Curves**

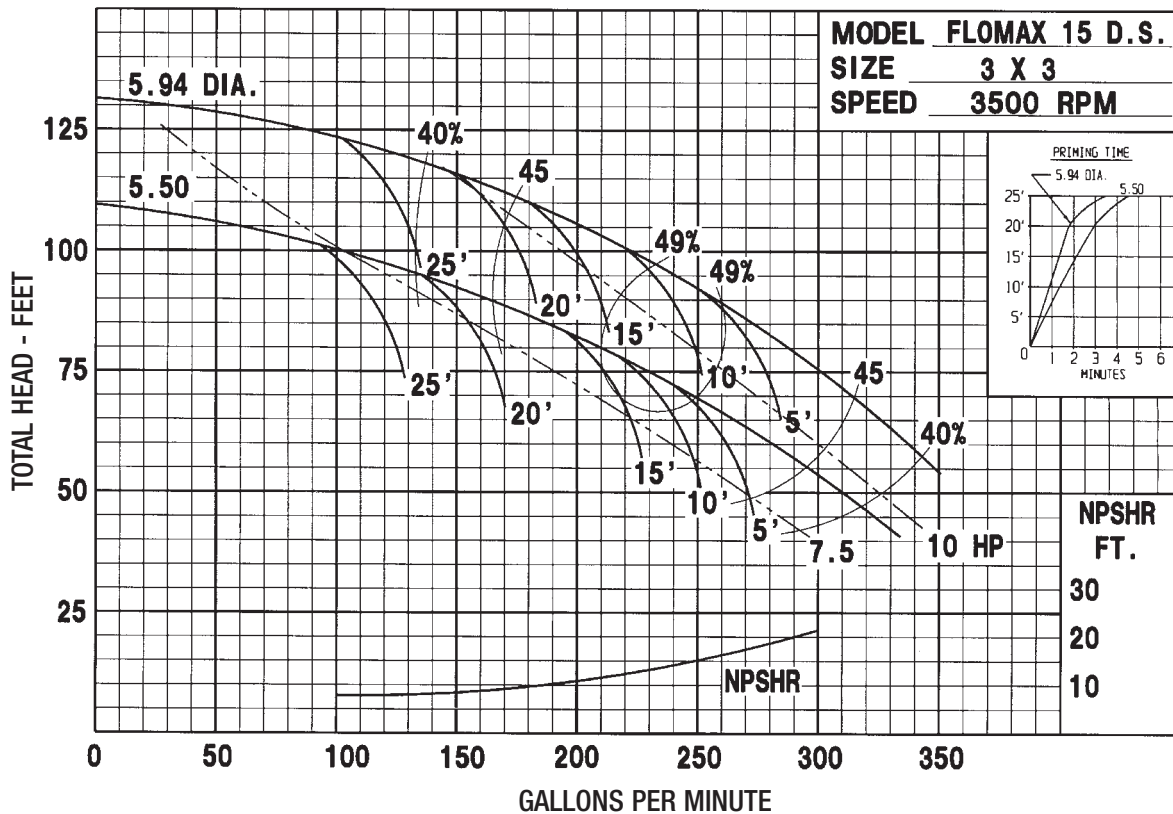
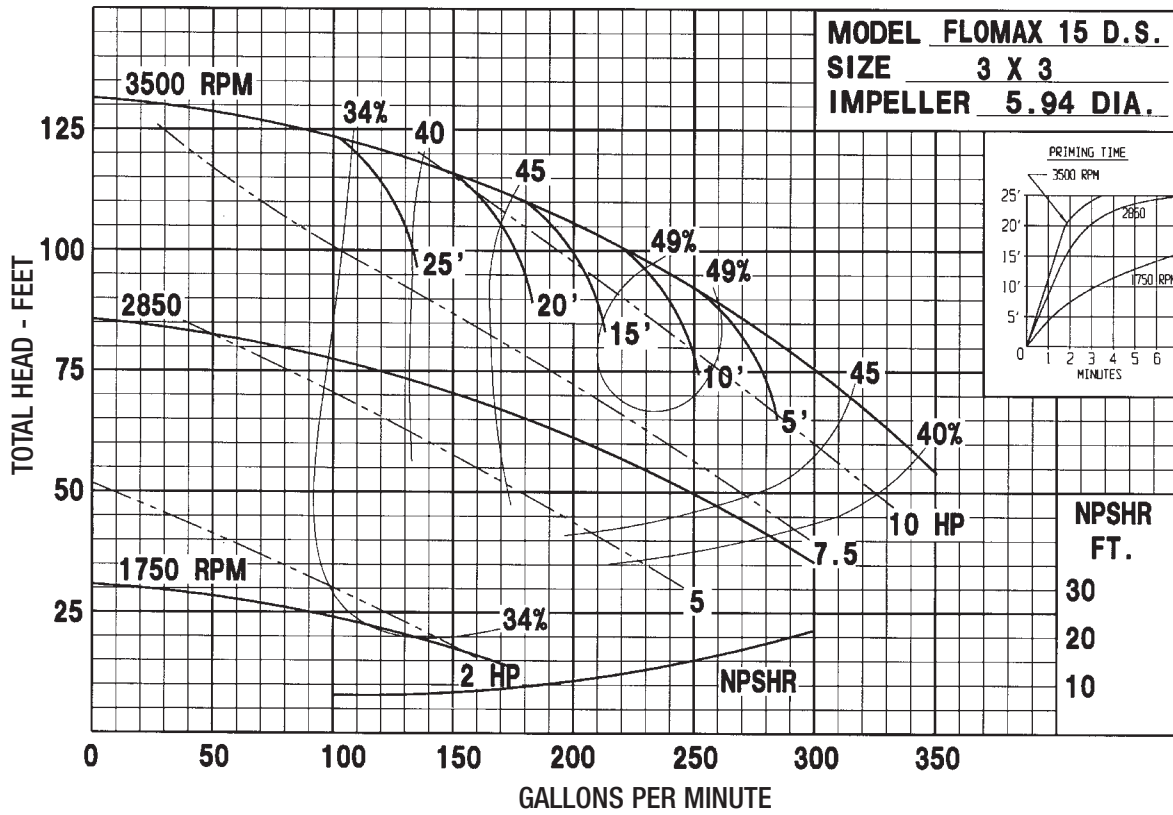


Other Performance Curves Available Upon Request

**Flomax 15 Pump Performance Curves**

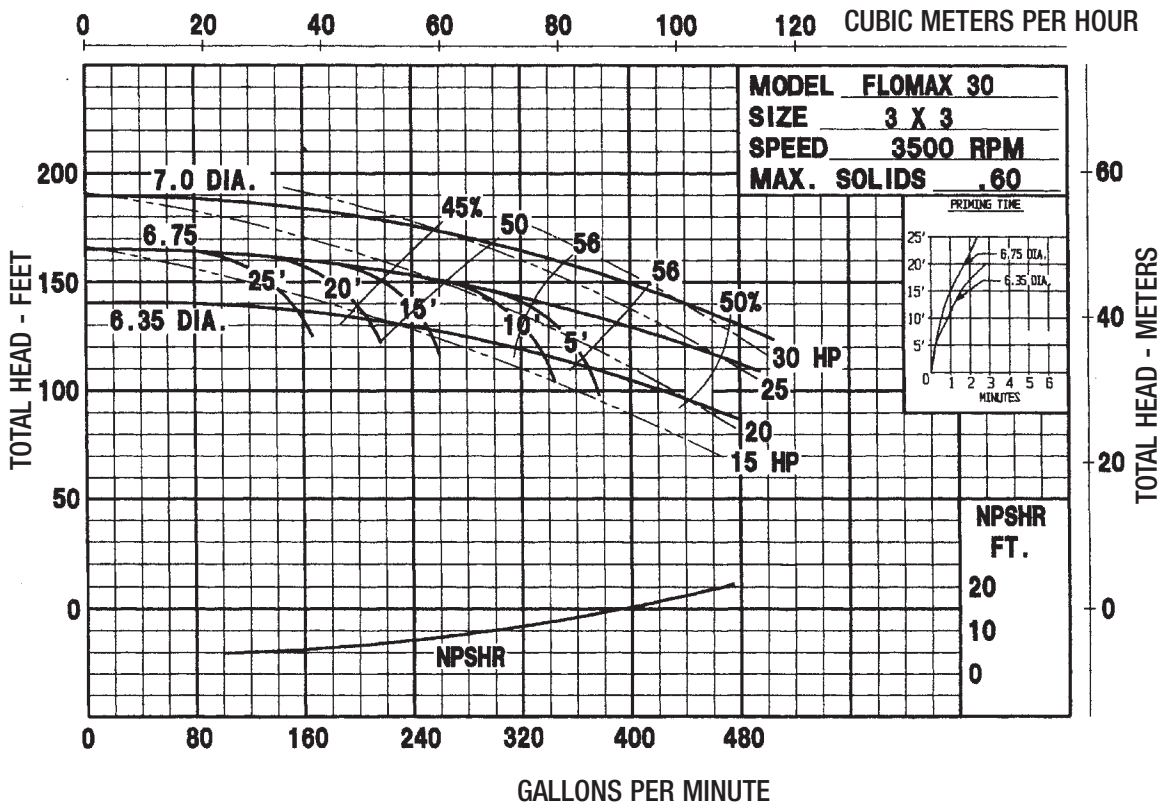
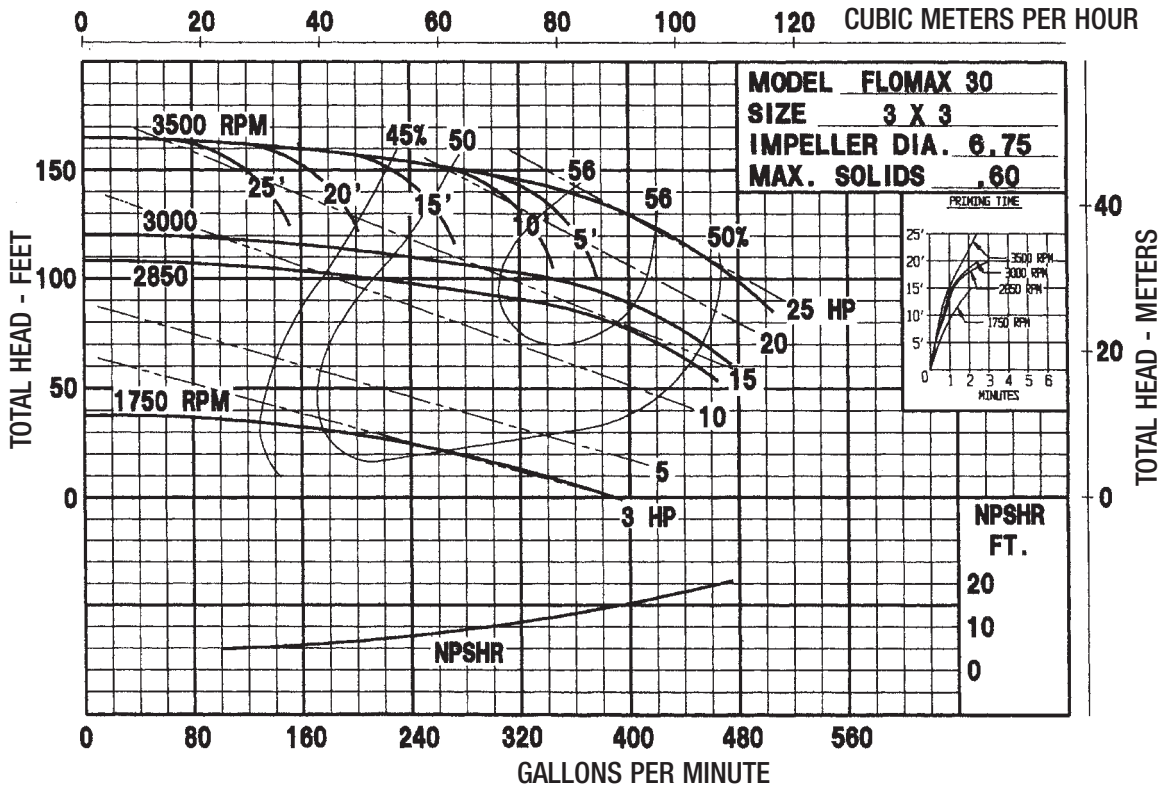


**Flomax 15 Pump Double Seal Performance Curves**

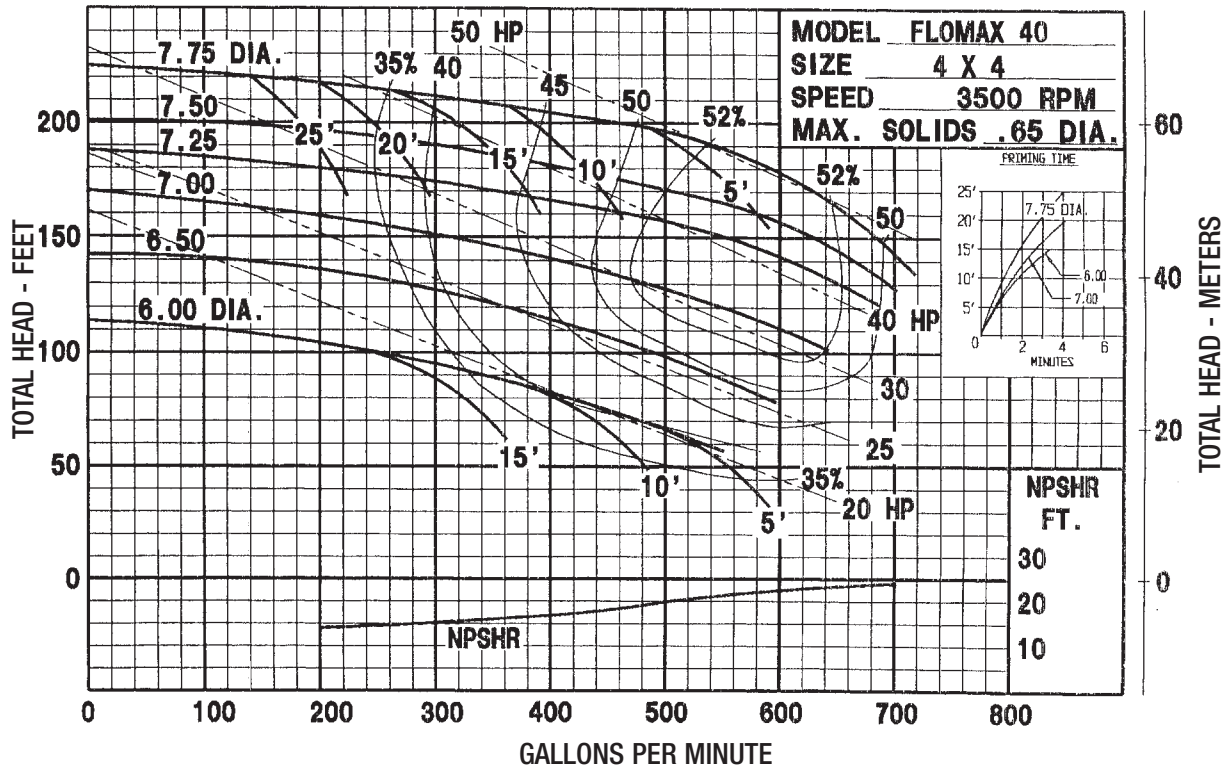
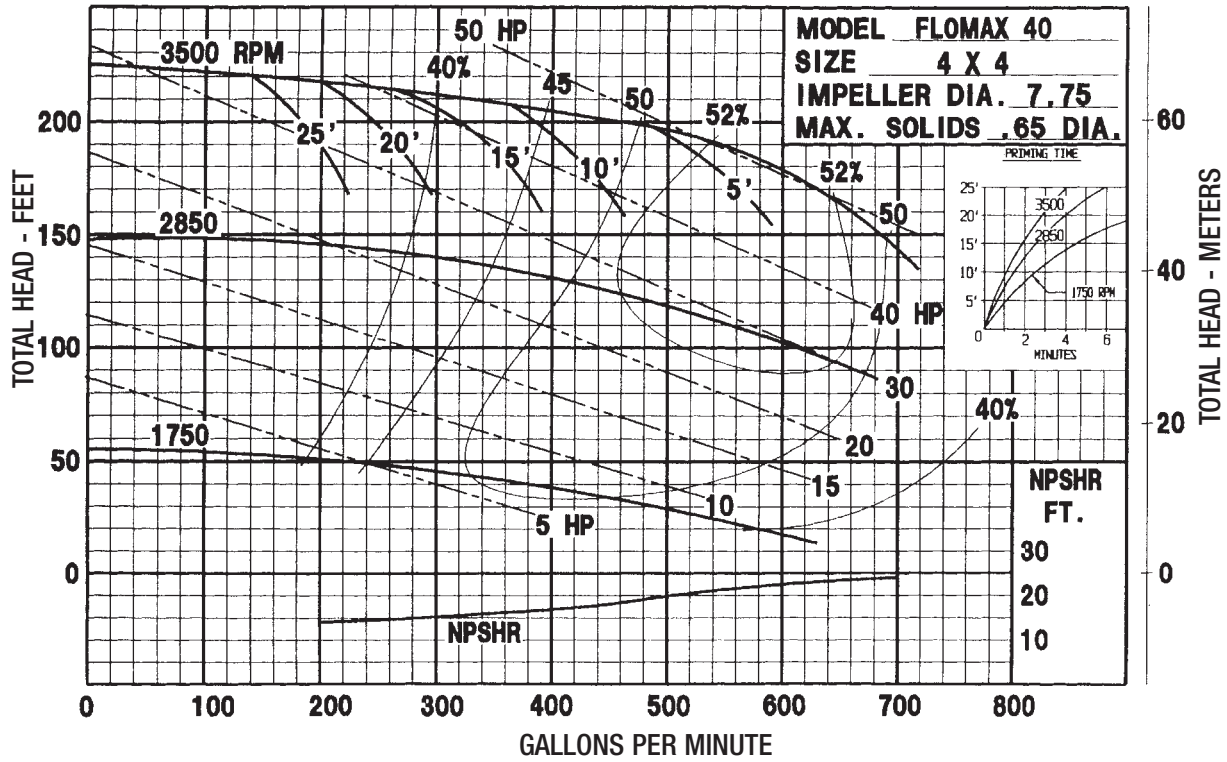




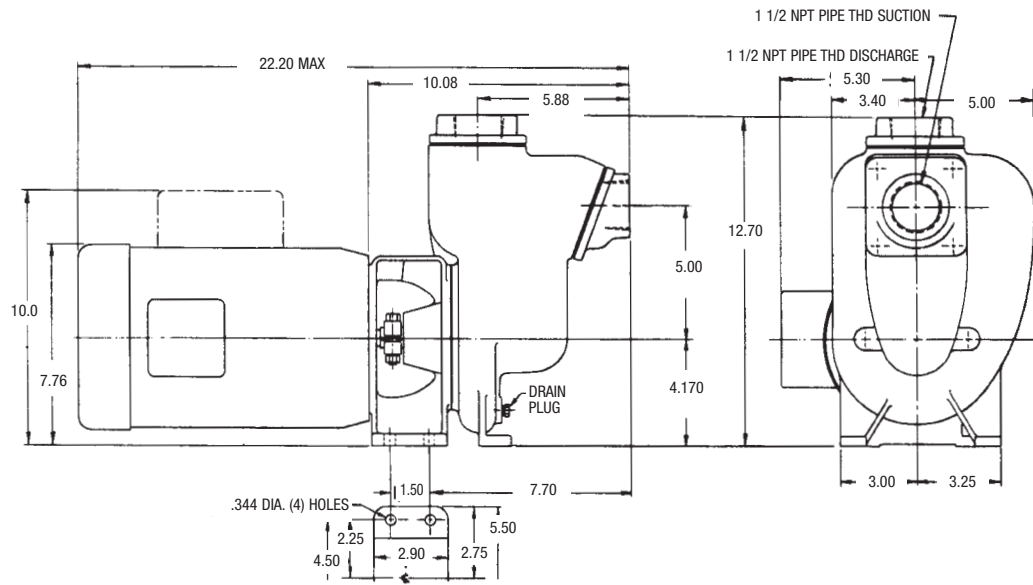
**Flomax 30 Pump Performance Curves**



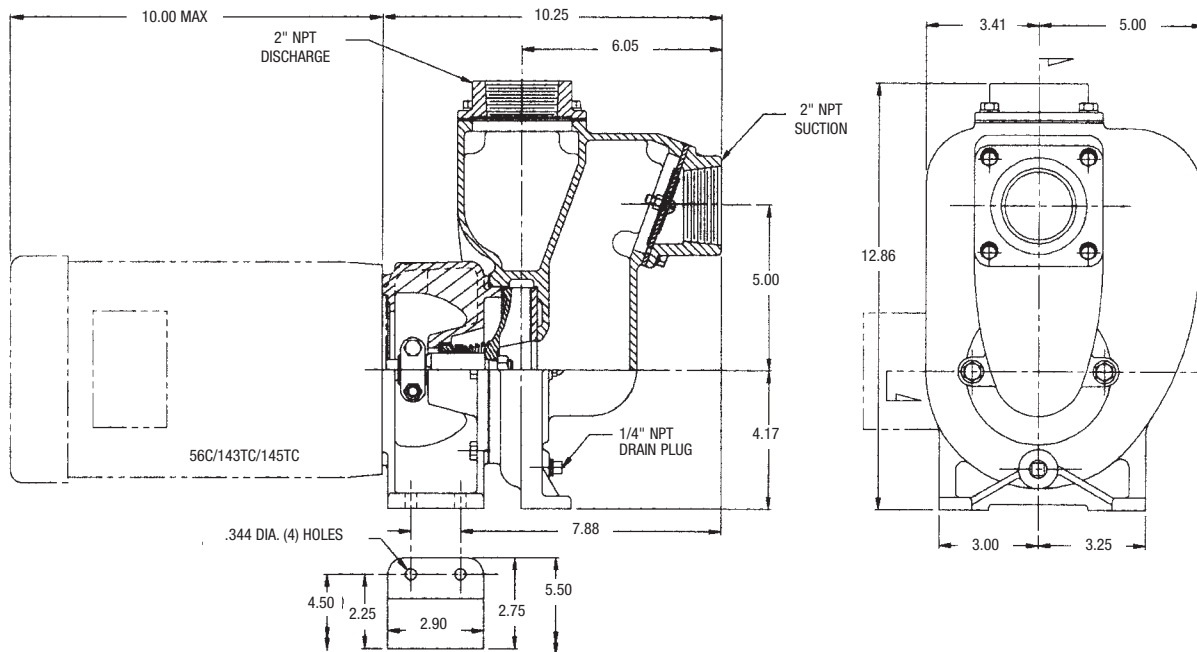
**Flomax 40 Pump Performance Curves**



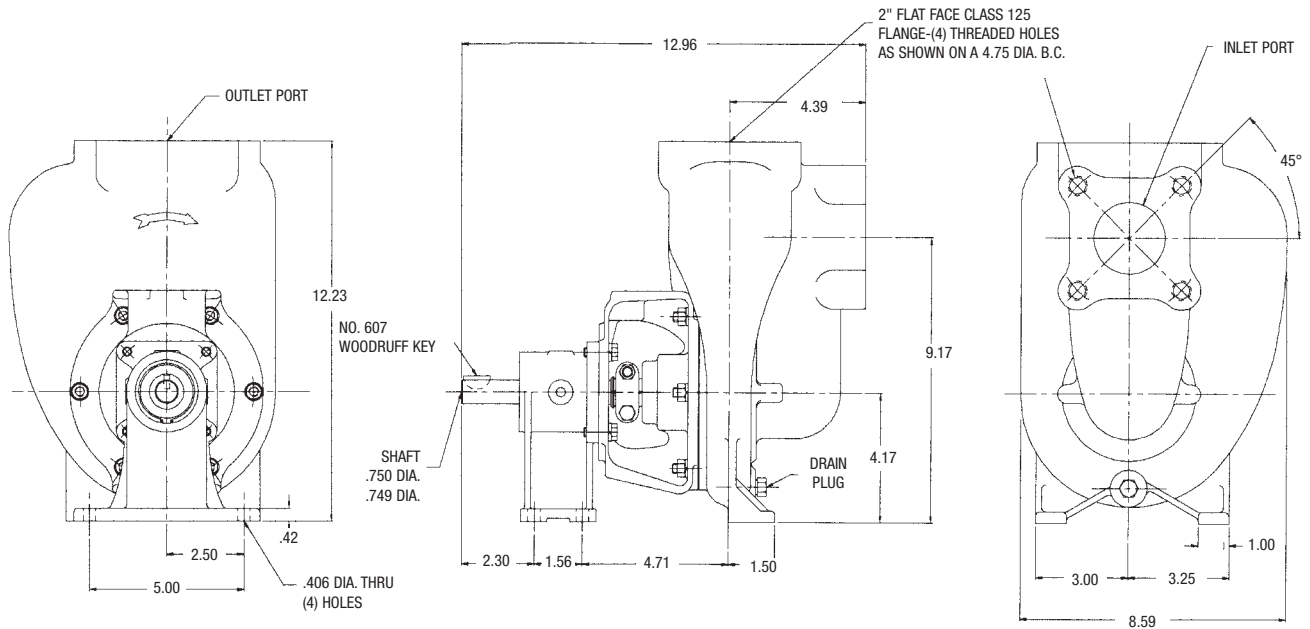
**Flomax 5 Dimensions**



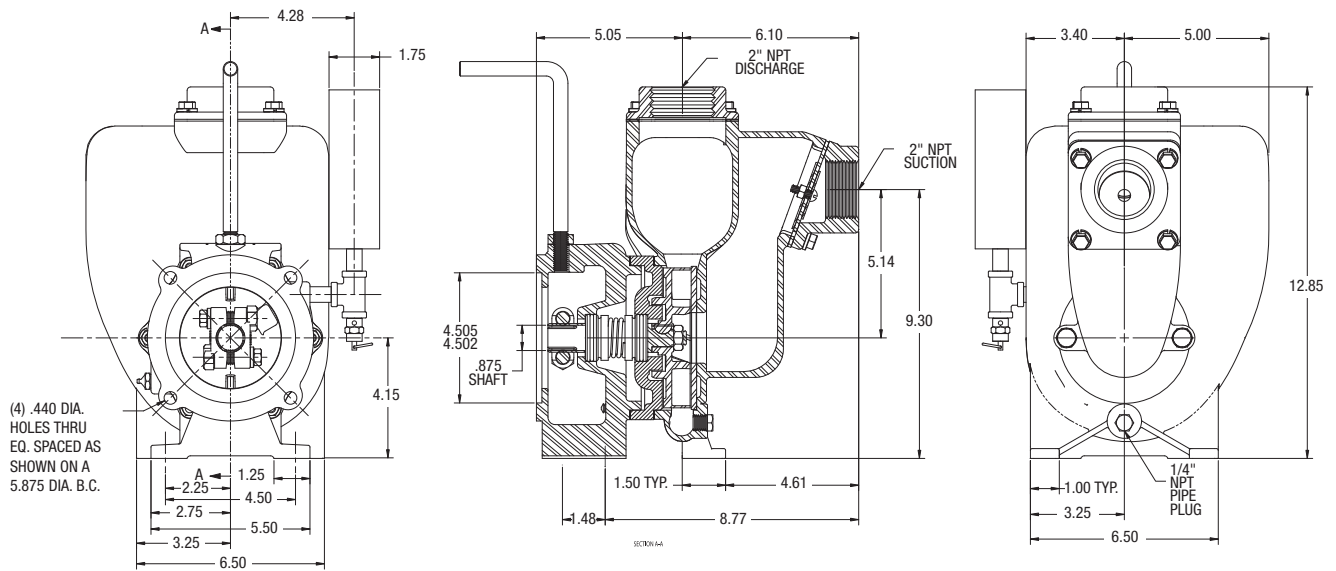
**Flomax 8 Dimensions**



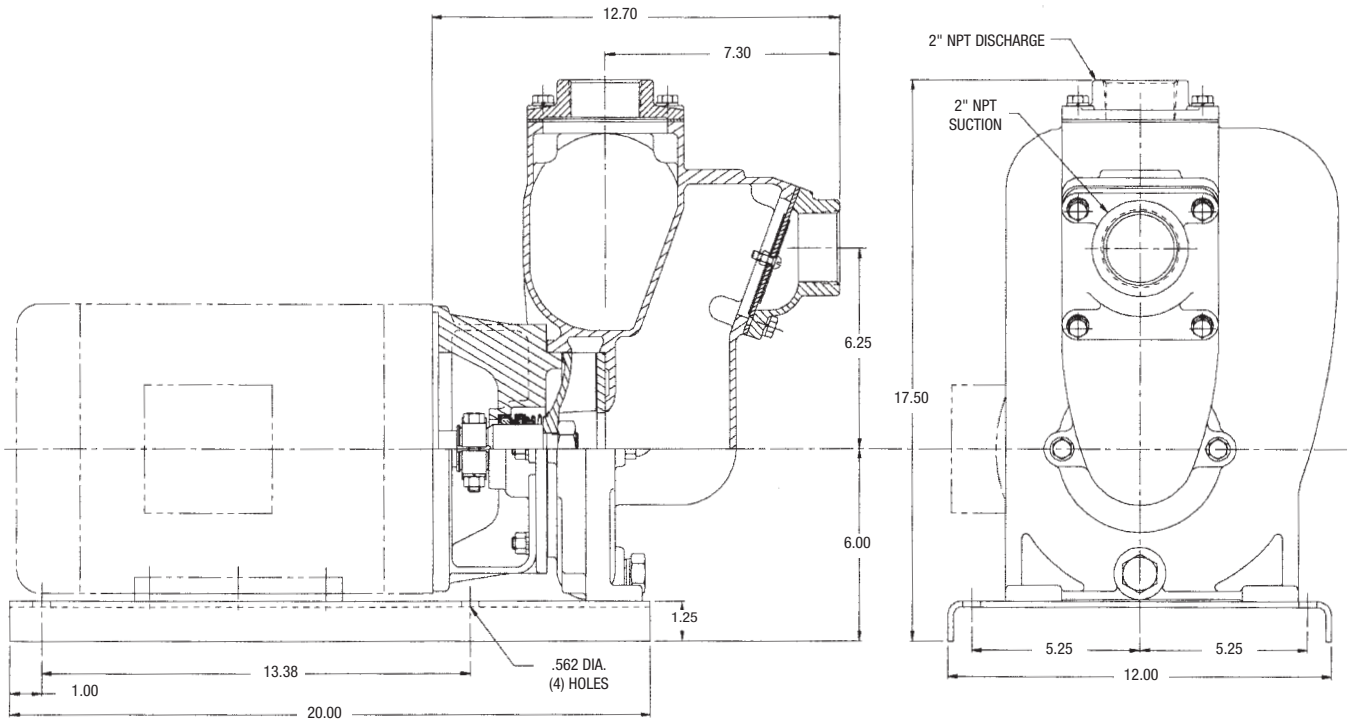
## FLOMAX 8 316 SS Dimensions



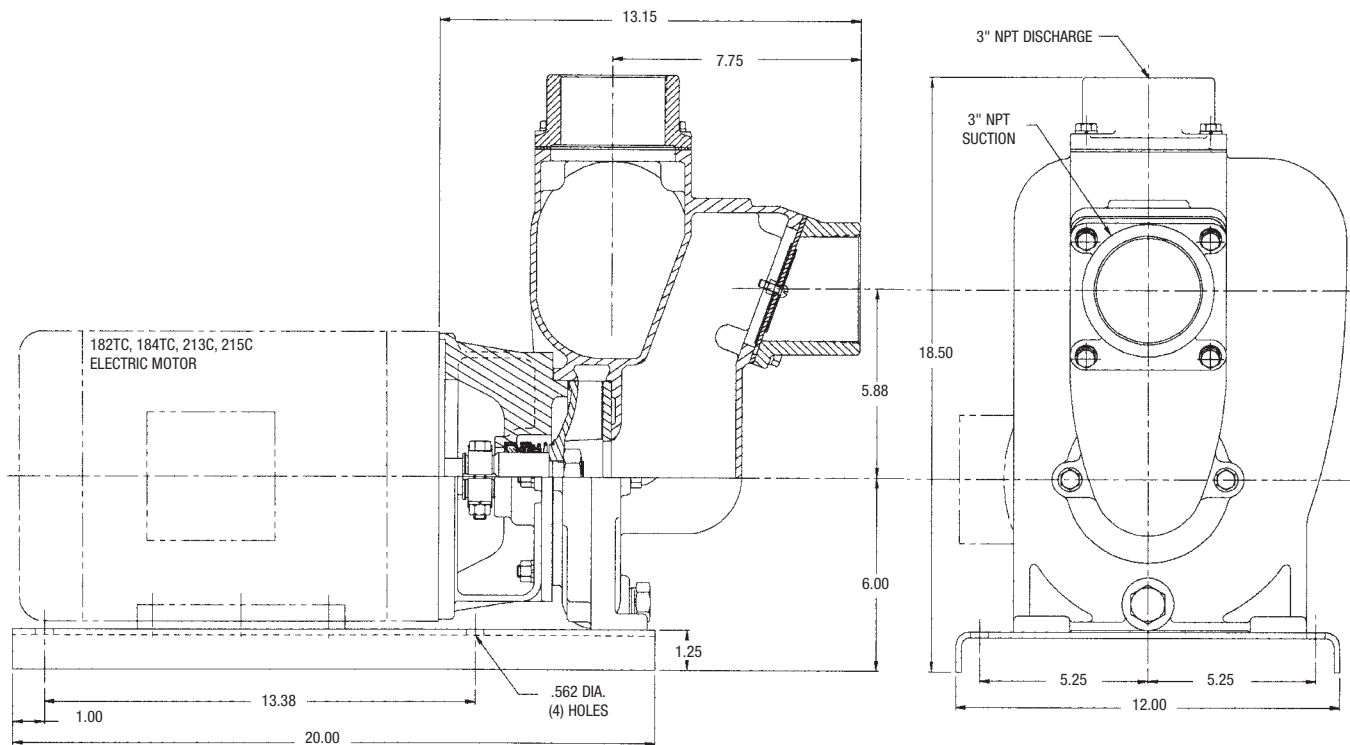
## FLOMAX 5 & 8 Double Seal Dimensions



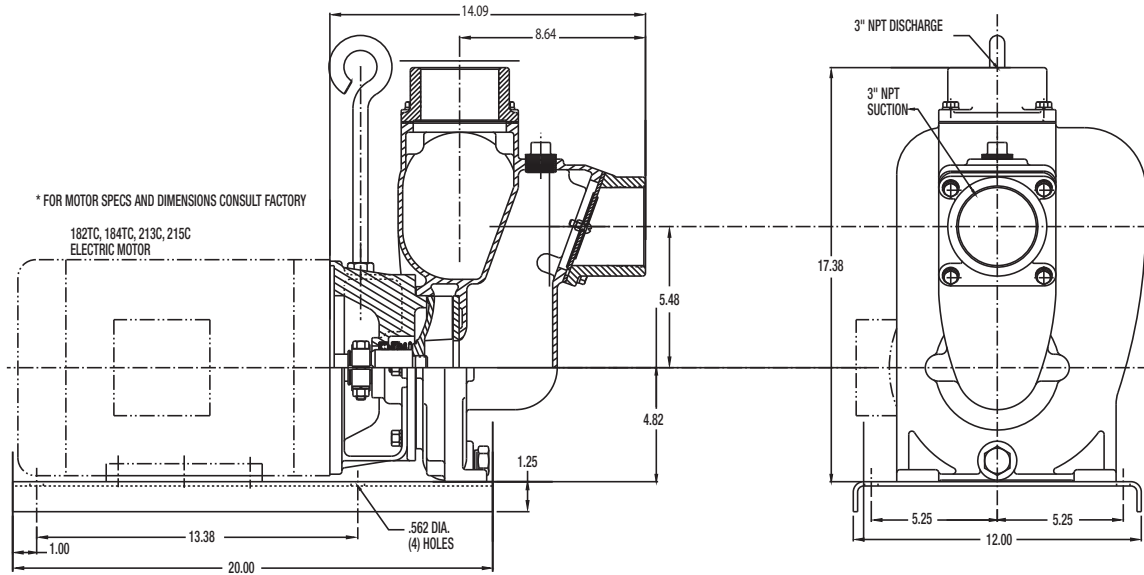
### Flomax 10 Dimensions



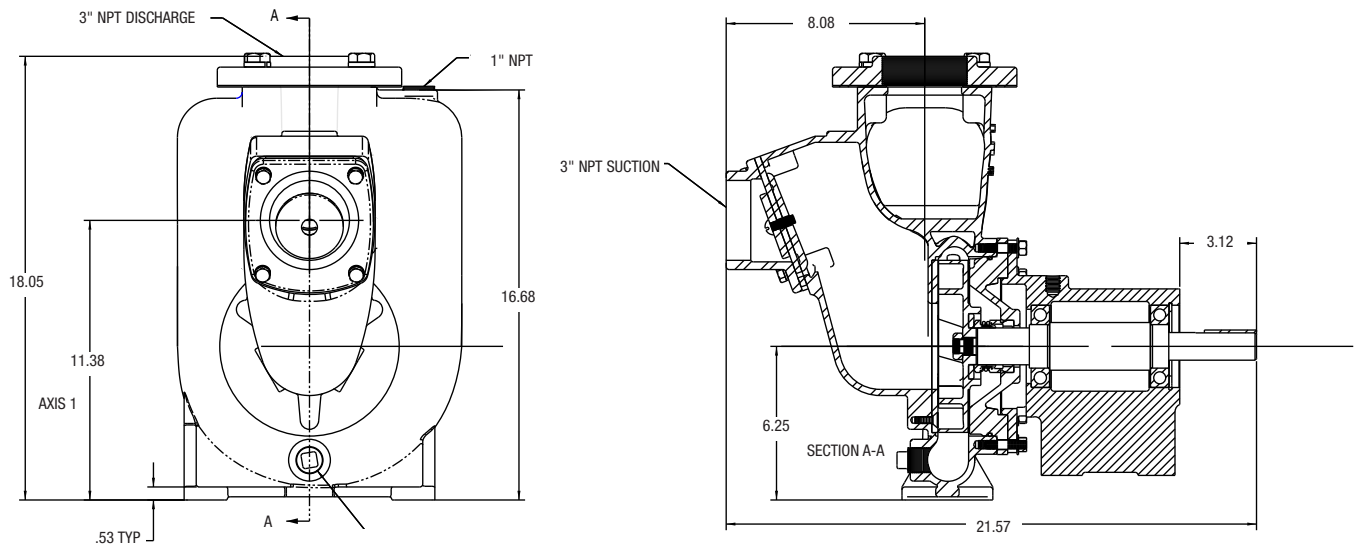
### Flomax 15 Dimensions



**Flomax 15 316 SS Dimensions**



**Flomax 30 Pedestal Mount Dimensions**



**Flomax 40 Dimensions**

